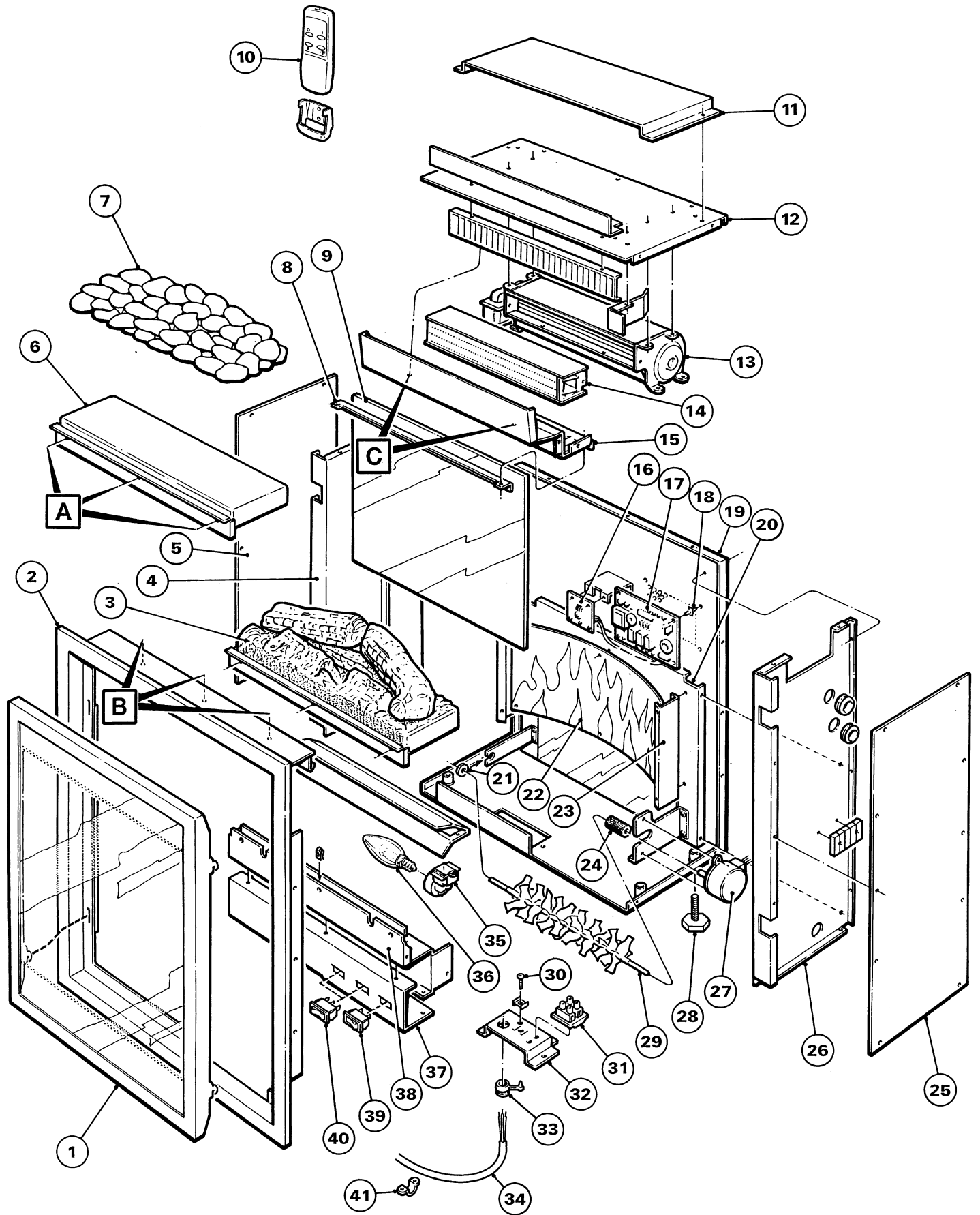


TIMRA TMR15



TIMRA TMR15

PARTS LIST**TIMRA TMR15**

ITEM	CAT NO	WATTS	VOLTS	DESCRIPTION	COLOUR	MODEL
1 & 2	FP05035			FRONT SURROUND ASSY		
3	FP05034			LOG ASSY		
6	FP05061			PEBBLE FUEL EFFECT ASSY		
7	FP04015			PEBBLE PACK		
8	FP05032			GLASS RETAINING BRACKET		
9	FP05031			GLASS		
N/S	FP9605			GLASS BUFFERS		
10	FP04046			ACCESSORY PACK INC INFRA RED		
13	FP03029			BLOWER MOTOR		
14	FP05010	1500		ELEMENT ASSY		
16 & 17	FP04039			PCB INFRA RED		
N/S	FP02033			PCB PILLAR		
22	FP03019			REFLECTOR		
27	FP05006			10RPM GEARED MOTOR		
29	FP05030			ROTISSERIE		
35	FP9609			LAMPHOLDER		
36	FP03022	60		LAMPS		
39	FP02035			HIGH INRUSH SWITCH		
40	BF7211			SWITCH		
N/S	FP05033			GRILLE		

SERVICING AND DISMANTLING INSTRUCTIONS

ENSURE APPLIANCE IS DISCONNECTED FROM THE ELECTRICITY SUPPLY BEFORE DISMANTLING
NOTE ALL CONNECTION DETAILS AND ROUTING OF LEADS BEFORE DISMANTLING.
ALWAYS REPLACE CABLE TIES ON RE-ASSEMBLY.

Numbers appearing in the text refer to those in the Illustrated parts list. Letters refer to location.

CHAPTER 1. LAMP REPLACEMENT/FUEL EFFECT.

- 1.1. Remove the Front panel 1 by lifting up and then out. Carefully place to one side.
- 1.2. Remove Pebbles 7 if utilised.
- 1.3. Remove screws in pos'n 'A'. Grip front edge of Fuel bed 6, or Log effect 3, and slide out forwards. (Take care not to damage the Logs as they are fragile). Carefully place to one side.
- 1.4. Grip L.H. end of Rotisserie 29, pull forwards to disengage the Grommet 21 from its holding bkt, and then swing upwards to gain access to Lamps. (Do not lose Grommet).
- 1.5. Unscrew the defective Lamp 36 and replace with a 240V 60W E14 SES Clear candle lamp.
- 1.6. Re-assemble in reverse order.

CHAPTER 2. MAINS CABLE.

- 2.1. Carefully lay the Fire on its back on a soft surface.
- 2.2. Remove Panel 32 secured by two screws.
- 2.3. Detach the Live and Neutral leads from the Terminal block 31 and the Earth lead from the Earth screw 30.
- 2.4. Release the Cable 34 from the Cable entry clamp 33 by squeezing the barbs with long-nosed pliers.
- 2.5. Remove the Cable clamp 41 secured by two screws.
- 2.6. Re-assemble in reverse order.

CHAPTER 3. FLAME EFFECT.

- 3.1. Carry out procedures 1.1. 1.2. and 1.3. in CHAPTER 1.
- 3.2. Carefully lay the Fire on its back and remove Front Surround 2, secured by three screws on either side and three screws at the top in pos'n 'B'.
- 3.3. Mirrored glass 9 is retained at top edge by Channel 8 secured by two screws, remove them and lift out channel. Tilt top edge of Glass outwards and raise bottom edge out of retaining lugs. Place mirrored glass carefully to one side, noting orientation.
- 3.4. To remove the Rotisserie 29, pull L.H. side of shaft forwards to disengage the Grommet 21 from its location. Slide the Grommet off the shaft and retain. Pull the R.H. side of the shaft out of Flexible coupling 24.
- 3.5. Flexible coupling 24 is a push-fit onto Geared Motor shaft. Re-use if in good condition.
- 3.6. Geared motor 27 is secured by two screws, to gain access, remove R.H. outer panel 25 secured by two screws, the R.H. inner panel 26 secured by three screws from the rear to item 19, two from the top to item 12, three from the bottom to item 19, two to item 15, two to item 20 and two to item 38.
- 3.7. Re-assemble in reverse order.

CHAPTER 4. FAN HEATER.

- 4.1. Remove Front panel 1 by lifting up and then out. Carefully place to one side.
- 4.2. Remove Front surround 2 secured by three screws on either side and three at the top in pos'n 'B'
- 4.3. Remove Top cover plate 11 secured by two screws.
- 4.4. Remove Top panel 12 secured by two screws to L.H. side panel 5, two to R.H. side panel 25, three to Back panel 19, two to L.H. inner panel 4 and two to R.H. inner panel 26.
- 4.5. Remove Element/Blower unit 14/13, secured by four screws to Top Panel 12.
- 4.6. Element 14 (complete with Thermal cut-out) is secured by four screws to Blower 13.
- 4.7. Re-assemble in reverse order.

CHAPTER 5. CONTROLS.

- 5.1. Switches 39, 40 are a push fit. To remove, compress clip at each end of switch body and withdraw outwards.
- 5.2. To remove LED indicators/Control board 16/17, first carry out procedures 1.1. 1.2. 1.3. in CHAPTER 1 and 3.3. in CHAPTER 3.
- 5.3. Remove the LED indicator 16 secured by two screws.
- 5.4. Detach push-on connectors from Control board 17 and squeeze barbs on Stand-off spacers 18 x four, to remove it.
- 5.5. Re-assemble in reverse order.

AFTER SERVICING IT IS RECOMMENDED THAT THE PRODUCT IS TESTED FOR INSULATION AND EARTH CONTINUITY, IN ACCORDANCE WITH RELEVANT LOCAL SAFETY REGULATIONS.